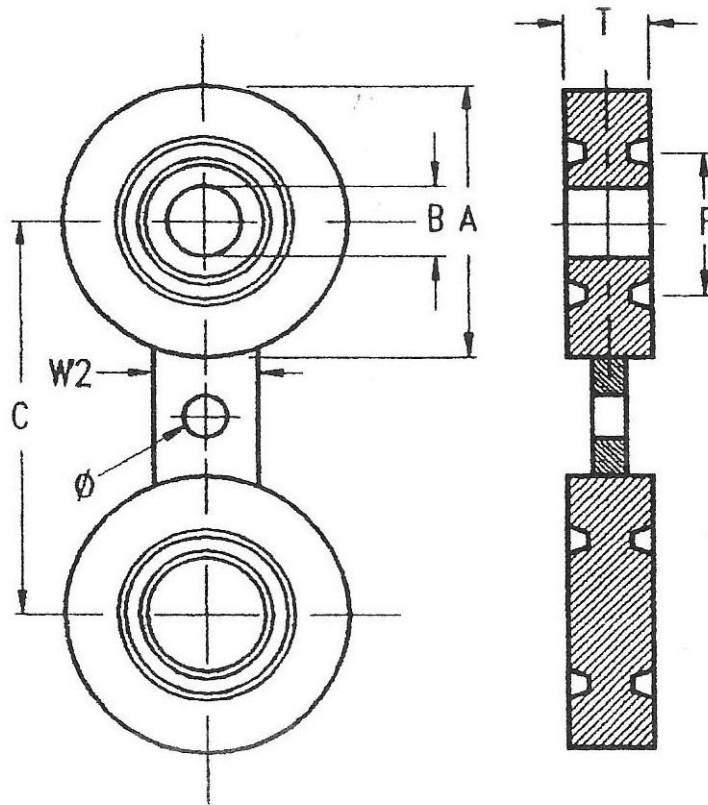




## FEMALE RING JOINT SPECTACLE BLIND



- STANDARD DIMENSIONS AS PER ASME B16.48
- HOLE SIZE SHALL BE SAME AS THE FLANGE BOLT HOLE AND LOCATED SUCH THAT IT WILL NOT INTERFERE WITH BOLTING BETWEEN FLANGES
- MATERIALS INCLUDE: A516-70; 304SS; 316SS; AND OTHER EXOTIC ALLOYS
- PADDLE BLINDS AND SPACER RINGS ALSO AVAILABLE ACCORDING TO B16.48



# FEMALE RING JOINT SPECTACLE BLIND

## DIMENSIONS

150# (FEMALE)										
SIZE	A	B	C	T	P	L	W1	W2	ε	RING
1	2.50	1.32	3.12	0.75	1.88	4.00	1.00	2.00	0.625	R 15
1 1/4	2.88	1.66	3.50	0.75	2.25	4.00	1.00	2.00	0.625	R 17
1 1/2	3.25	1.90	3.88	0.75	2.56	4.00	1.00	2.25	0.625	R 19
2	4.00	2.38	4.75	0.75	3.25	4.00	1.00	2.25	0.75	R 22
2 1/2	4.75	2.88	5.50	0.88	4.00	4.00	1.00	2.25	0.75	R 25
3	5.25	3.50	6.00	0.88	4.50	4.00	1.00	2.25	0.75	R 29
3 1/2	6.06	4.00	7.00	0.88	5.19	4.00	1.00	2.50	0.75	R 33
4	6.75	4.50	7.50	0.88	5.88	4.00	1.00	2.50	0.75	R 36
5	7.62	5.56	8.50	1.00	6.75	5.00	1.00	2.75	0.875	R 40
6	8.62	6.62	9.50	1.00	7.63	5.00	1.00	3.25	0.875	R 43
8	10.75	8.62	11.75	1.12	9.75	5.00	1.00	3.75	0.875	R 48
10	13.00	10.75	14.25	1.25	12.00	5.00	1.00	4.00	1.00	R 52
12	16.00	12.75	17.00	1.38	15.00	6.00	1.50	4.75	1.00	R 56
14	16.75	14.00	18.75	1.38	15.63	6.00	1.50	5.00	1.125	R 59
16	19.00	16.00	21.25	1.50	17.88	6.00	1.50	5.00	1.125	R 64
18	21.50	18.00	22.75	1.62	20.38	6.00	1.50	5.00	1.25	R 68
20	23.50	20.00	25.00	1.62	22.00	7.00	1.50	5.00	1.25	R 72
24	28.00	24.00	29.50	1.88	26.50	7.00	1.50	6.00	1.375	R 76

300# (FEMALE)										
SIZE	A	B	C	T	P	L	W1	W2	ε	RING
1/2	2.00	0.84	2.62	0.62	1.34	4.00	1.00	1.50	0.625	R 11
3/4	2.50	1.05	3.25	0.75	1.68	4.00	1.00	1.75	0.750	R 13
1	2.75	1.32	3.50	0.75	2.00	4.00	1.00	2.00	0.750	R 16
1 1/4	3.12	1.66	3.88	0.88	2.37	4.00	1.00	2.00	0.750	R 18
1 1/2	3.56	1.90	4.50	0.88	2.68	4.00	1.00	2.25	0.875	R 20
2	4.25	2.38	5.00	1.00	3.25	4.00	1.00	2.25	0.750	R 23
2 1/2	5.00	2.88	5.88	1.12	4.00	4.00	1.00	2.25	0.875	R 26
3	5.75	3.50	6.62	1.12	4.87	4.00	1.00	2.25	0.875	R 31
3 1/2	6.25	4.00	7.25	1.12	5.18	4.00	1.00	2.50	0.875	R 34
4	6.88	4.50	7.88	1.25	5.87	5.00	1.00	2.50	0.875	R 37
5	8.25	5.56	9.25	1.38	7.12	5.00	1.00	2.75	0.875	R 41
6	9.50	6.62	10.62	1.38	8.31	5.00	1.00	3.25	0.875	R 45
8	11.88	8.62	13.00	1.62	10.62	5.00	1.00	3.75	1.00	R 49
10	14.00	10.75	15.25	1.75	12.75	5.00	1.00	4.00	1.125	R 53
12	16.25	12.75	17.75	2.00	15.00	6.00	1.50	4.75	1.250	R 57
14	18.00	14.00	20.25	2.12	16.50	6.00	1.50	5.00	1.250	R 61
16	20.00	16.00	22.50	2.25	18.50	6.00	1.50	5.00	1.375	R 65
18	22.62	18.00	24.75	2.38	21.00	7.00	1.50	5.00	1.375	R 69
20	25.00	20.00	27.00	2.75	23.00	7.00	1.50	5.00	1.375	R 73
24	29.50	24.00	32.00	3.12	27.25	7.00	1.50	6.00	1.625	R 77

600# (FEMALE)										
SIZE	A	B	C	T	P	L	W1	W2	ε	RING
1/2	2.00	0.84	2.62	0.75	1.34	4.00	1.00	1.50	0.625	R 11
3/4	2.50	1.05	3.25	0.88	1.68	4.00	1.00	1.75	0.750	R 13
1	2.75	1.32	3.50	0.88	2.00	4.00	1.00	2.00	0.750	R 16
1 1/4	3.12	1.66	3.88	0.88	2.37	4.00	1.00	2.00	0.750	R 18
1 1/2	3.56	1.90	4.50	0.88	2.68	4.00	1.00	2.25	0.875	R 20
2	4.25	2.38	5.00	1.12	3.25	4.00	1.00	2.25	0.750	R 23
2 1/2	5.00	2.88	5.88	1.25	4.00	4.00	1.00	2.25	0.875	R 26
3	5.75	3.50	6.62	1.25	4.87	4.00	1.00	2.25	0.875	R 31
3 1/2	6.25	4.00	7.25	1.38	5.18	4.00	1.00	2.50	1.000	R 34
4	6.88	4.50	8.50	1.38	5.87	5.00	1.00	2.50	1.000	R 37
5	8.25	5.56	10.50	1.50	7.12	5.00	1.00	2.75	1.125	R 41
6	9.50	6.62	11.50	1.75	8.31	5.00	1.00	3.25	1.125	R 45
8	11.88	8.62	13.75	2.00	10.62	6.00	1.00	3.75	1.25	R 49
10	14.00	10.75	17.00	2.25	12.75	6.00	1.00	4.00	1.375	R 53
12	16.25	12.75	19.25	2.50	15.00	6.00	1.50	4.75	1.375	R 57
14	18.00	14.00	20.75	2.62	16.50	6.00	1.50	5.00	1.500	R 61
16	20.00	16.00	23.75	2.88	18.50	7.00	1.50	5.00	1.625	R 65
18	22.62	18.00	25.75	3.12	21.00	7.00	1.50	5.00	1.750	R 69
20	25.00	20.00	28.50	3.5	23.00	7.00	1.50	5.00	1.750	R 73
24	29.50	24.00	33.00	4.12	27.25	8.00	1.50	6.00	2.000	R 77

900# (FEMALE)										
SIZE	A	B	C	T	P	L	W1	W2	ε	RING
1/2	2.38	0.84	3.25	0.88	1.56	5.00	1.00	1.50	0.875	R 12
3/4	2.62	1.05	3.50	0.88	1.75	5.00	1.00	1.75	0.875	R 14
1	2.81	1.32	4.00	0.88	2.00	5.00	1.00	2.00	1.000	R 16
1 1/4	3.19	1.66	4.38	1	2.38	5.00	1.00	2.00	1.000	R 18
1 1/2	3.62	1.90	4.88	1	2.69	5.00	1.00	2.50	1.125	R 20
2	4.88	2.38	6.50	1.25	3.75	5.00	1.00	2.00	1.000	R 24
2 1/2	5.38	2.88	7.50	1.38	4.25	6.00	1.00	2.62	1.125	R 27
3	6.12	3.50	7.50	1.38	4.87	6.00	1.00	2.62	1.000	R 31
4	7.12	4.50	9.25	1.62	5.87	6.00	1.00	2.88	1.250	R 37
5	8.50	5.56	11.00	1.75	7.12	6.00	1.00	2.88	1.375	R 41
6	9.50	6.62	12.50	1.88	8.31	6.00	1.00	2.88	1.250	R 45
8	12.12	8.62	15.50	2.25	10.62	6.00	1.00	3.12	1.500	R 49
10	14.25	10.75	18.50	2.50	12.75	7.00	1.00	4.75	1.50	R 53
12	16.50	12.75	21.00	2.88	15.00	7.00	1.50	4.75	1.500	R 57
14	18.38	14.00	22.00	3.25	16.50	7.00	1.50	4.75	1.625	R 62
16	20.62	16.00	24.25	3.62	18.50	7.00	1.50	5.00	1.750	R 66
18	23.38	18.00	27.00	4.00	21.00	8.00	1.50	5.25	2.000	R 70
20	25.50	20.00	29.50	4.38	23.00	8.00	1.50	5.00	2.125	R 74
24	30.38	24.00	33.50	5.25	27.25	8.00	1.50	5.50	2.625	R 78



# FEMALE RING JOINT SPECTACLE BLIND

## DIMENSIONS CONT.

1500# (FEMALE)										
SIZE	A	B	C	T	P	L	W1	W2	ε	RING
1/2	2.38	0.84	3.25	0.88	1.56	5.00	1.00	1.50	0.875	R 12
3/4	2.62	1.05	3.50	1	1.75	5.00	1.00	1.75	0.875	R 14
1	2.81	1.32	4.00	1.00	2.00	5.00	1.00	2.00	1.000	R 16
1 1/4	3.19	1.66	4.38	1	2.37	5.00	1.00	2.00	1.000	R 18
1 1/2	3.62	1.90	4.88	1.12	2.68	5.00	1.00	2.50	1.125	R 20
2	4.88	2.38	6.50	1.38	3.75	5.00	1.00	2.12	1.000	R 24
2 1/2	5.38	2.88	7.50	1.50	4.25	6.00	1.00	2.62	1.125	R 27
3	6.62	3.50	8.00	1.75	5.37	6.00	1.00	2.88	1.250	R 35
4	7.62	4.50	9.50	1.88	6.37	6.00	1.00	3.00	1.375	R 39
5	9.00	5.56	11.50	2.12	7.62	6.00	1.00	3.00	1.625	R 44
6	9.75	6.62	12.50	2.38	8.31	6.00	1.00	3.12	1.500	R 46
8	12.50	8.62	15.50	2.88	10.62	7.00	1.00	3.38	1.750	R 50
10	14.62	10.75	19.00	3.25	12.75	8.00	1.50	5.25	2.00	R 54
12	17.25	12.75	22.50	4.00	15.00	8.00	1.50	5.25	2.125	R 58
14	19.25	14.00	25.00	4.38	16.50	9.00	1.50	5.50	2.375	R 63
16	21.50	16.00	27.75	4.88	18.50	9.00	1.50	5.75	2.625	R 67
18	24.12	18.00	30.50	5.25	21.00	10.00	1.50	6.00	2.875	R 71
20	26.50	20.00	32.75	5.62	23.00	10.00	1.50	6.50	3.125	R 75
24	31.25	24.00	39.00	6.62	27.25	10.00	1.50	7.00	3.625	R 79

2500# (FEMALE)										
SIZE	A	B	C	T	P	L	W1	W2	ε	RING
1/2	2.56	0.84	3.50	1.00	1.68	5.00	1.00	1.50	0.875	R 13
3/4	2.88	1.05	3.75	1.12	2.00	5.00	1.00	1.75	0.875	R 16
1	3.25	1.32	4.25	1.12	2.37	5.00	1.00	2.12	1.000	R 18
1 1/4	4.00	1.66	5.12	1.38	2.84	5.00	1.00	2.12	1.125	R 21
1 1/2	4.50	1.90	5.75	1.50	3.25	5.00	1.00	2.38	1.250	R 23
2	5.25	2.38	6.75	1.62	4.00	5.00	1.00	2.25	1.125	R 26
2 1/2	5.88	2.88	7.75	1.88	4.37	6.00	1.00	2.38	1.250	R 28
3	6.62	3.50	9.00	2.00	5.00	6.00	1.00	3.00	1.375	R 32
4	8.00	4.50	10.75	2.50	6.18	7.00	1.00	3.25	1.625	R 38
5	9.50	5.56	12.75	2.88	7.50	7.00	1.00	3.50	1.875	R 42
6	11.00	6.62	14.50	3.25	9.00	8.00	1.00	3.75	2.125	R 47
8	13.38	8.62	17.25	3.88	11.00	8.00	1.00	3.75	2.125	R 51
10	16.75	10.75	21.25	4.62	13.50	9.00	1.50	3.58	2.62	R 55
12	19.50	12.75	24.38	5.25	16.00	9.00	1.50	6.00	2.870	R 60