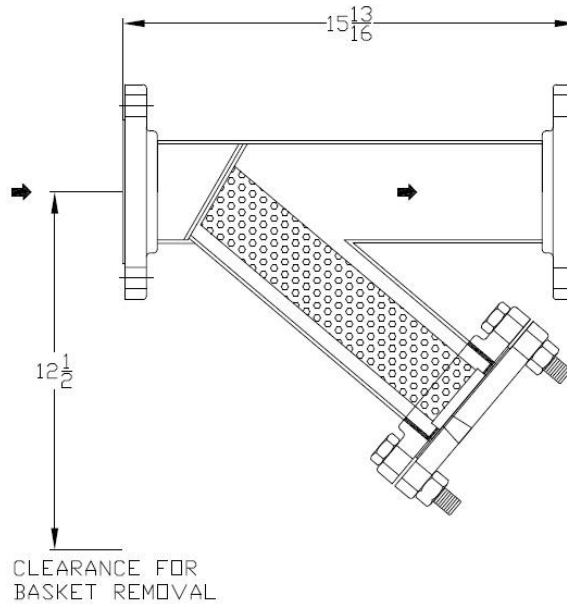




WYE TYPE STRAINERS

FABRICATED BY CDR



SIZE	A	B	Blow Off NPT	Weight (lbs)
1 1/2	13	12	1/2	35
2	14	12	1/2	35
2 1/2	15	13	1/2	45
3	17	15	1/2	60
4	20	18	3/4	95
5	23	22	3/4	120
6	25	23	1	150
8	33	32	1	260
10	35	33	1 1/2	380
12	37	35	1 1/2	570
14	42	40	2	680
16	45	42	2	950
18	50	47	2	1100
20	53	50	2	1350
24	63	60	2	1950

- Typically manufactured with weld necks flanges
- Designed and fabricated to B31.3; other codes are available
- Options include: Quick closures, Davits, Wedge wire baskets, pressure connections, drains and vents